

# FORESTRISE 2024



[www.forestrise.jp](http://www.forestrise.jp)

**September 18 (Wed) - 20 (Fri), 2024**  
**Tokyo Big Sight, East Exhibition Hall**

## General Information

Exhibition Name

**FORESTRISE 2024**

Dates

September 18 (Wed) – September 20 (Fri), 10:00 – 17:00

Venue

Tokyo Big Sight East Exhibition Hall

Organizer

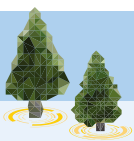
Sankei Shimbun Co., Ltd

Entrance Fee

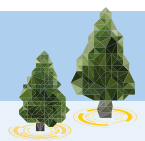
Free (Invitation tickets or Online registration required)

Planning Partner

FOREST MEDIA WORKS Inc.



## What is FORESTRISE ?



The term "FORESTRISE" was coined by combining the words "FOREST" and "RISE". The former represents the forest business as a comprehensive industry that encompasses the upstream forestry industry, the midstream forestry industry, and the downstream woody biomass industry, all of which share forest resources as a common foundation. The latter refers to an idea of ascent and development as in the expressions sunrise, people rising, the rise in quantity, a price rise, the rise or beginning of something, etc. It is the name of an exhibition combined with the hope for the revival and revitalization of Japan's forest industry.

Read: Forest + Rise

## Target Visitors

- Forest departments of the government / local governments (prefectural, municipal)
- Forestry management entities (forestry cooperatives, material producers, forestry business owners, etc.)
- Forest owners
- Raw wood markets
- Paper manufacturing companies and trading companies (afforestation division)
- Academic and research institutions
- Forestry colleges and other educational institutions
- Academic conferences
- Industry associations
- Nonprofit organizations
- Welfare organizations
- Certification bodies
- Power generation companies
- New power companies
- Consultants
- Corporate SDGs division
- Corporate CSR division
- Corporate ESG / Sustainable management division, etc.

## Exhibitors Categories



### New Technology

- ▶ Digital transformation (DX) ▶ Drones / Airborne and ground-based laser scanner
- ▶ Building supply chain management ▶ ICT technology ▶ IoT (Internet of Things)
- ▶ AI (Artificial Intelligence) technology ▶ Big data utilization ▶ Cloud ▶ Blockchain
- ▶ RFID ▶ Various automation technologies ▶ Mobile ▶ Remote sensing
- ▶ Robots / Assistive suits ▶ Traceability technology ▶ Forest GIS and simulation technology
- ▶ Tools/Applications for smartphone use ▶ Advanced technology, research & development, etc.



### Improving productivity, safety, and profitability /Lightening and saving labor

- ▶ Forest measurement and forest surveying / Forest surveying technology
- ▶ Afforestation, silviculture, and reforestation technologies
- ▶ Sapling production / Fast-growing trees and elite trees ▶ Animal damage and pest control
- ▶ Material production ▶ High-performance forestry machinery ▶ Road network maintenance
- ▶ Transportation ▶ Raw wood and chip supply ▶ Forest certification, etc.



### Forest management / consulting

- ▶ Forest management ▶ Consulting for local governments and companies
- ▶ Human resource development and recruitment ▶ Forest Funds / Forest Trusts
- ▶ Securing project sites (operation history management, forest management plans, sales activities)
- ▶ Forest insurance ▶ Mountain and forest trading
- ▶ Consultation on inheritance, sale, and abandonment of mountain and forests, etc.



### National resilience / Erosion control measures

- ▶ Erosion prevention ▶ Disaster prevention and mitigation ▶ Driftwood
- ▶ Wind and flood damage ▶ Soil conservation ▶ Dangerous trees ▶ Sediment outflow
- ▶ Hillslope terracing ▶ Water retention, etc.



### Forest space utilization / multifunction

- ▶ Forest service industry ▶ Education (tree care, forestry experience)
- ▶ Tourism including ecotourism, medical tourism ▶ Forest therapy ▶ Recreational activities
- ▶ Small-scale hydraulic power generation ▶ Various recreational activities ▶ Wild game, etc.



### SDGs / Regional development and decarbonization

- ▶ SDG management support solutions
- ▶ Government office / Local governments / Local public organizations ▶ Forest credits / J-credits
- ▶ Carbon absorption and CO2 visualization ▶ Zero carbon consulting, etc.



### Woody biomass (energy, heat, materials)

- ▶ Power generation facilities ▶ Power generation and supply equipment ▶ Boilers / Stoves
- ▶ Resource and combustion analysis ▶ Electricity storage systems
- ▶ Energy management systems ▶ Woody biomass fuel ▶ Power generation technology
- ▶ Plants / Furnaces ▶ Heat utilization ▶ Design and engineering ▶ Biomass industrial city
- ▶ Chips ▶ PKS ▶ Sale of pellets, firewood and chip fuel ▶ New and advanced materials
- ▶ Lignin ▶ Cellulose nanofiber, etc.

## Booth Type A

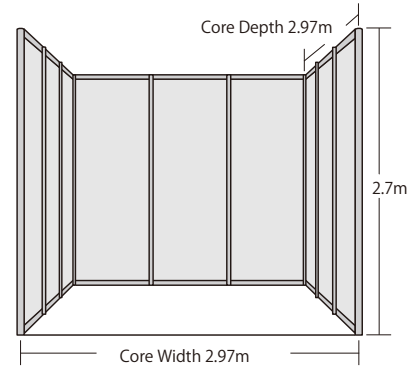
**1 booth unit = 9m<sup>2</sup> (width 3m × depth 3m × height 2.7m)**

\*Rear and side walls only, corner booths have only one side wall

**Exhibition fees 429,000 yen (including tax)/unit**

### Booth unit layout height limits:

- **1 – 3 or 5 booth unit(s)**  
Linear booth type only. Height: up to 2.7m (However, up to 4m with a 1m setback from the aisles and the side and rear walls)
  - **4 booth units**  
Linear booth or Peninsula booth type available. Height: up to 4m
  - **5 booth units**  
Linear booth type only. Height: up to 4m
  - **6 booth units or over**  
Island type only. Height: up to 5m
- \*Please contact the organizer if you prefer linear booth type.



\*Please contact the organizer for exhibits that exceed specified height. Please note that it is not possible to display company signs and logos exceeding the maximum height limit.

## Booth Type F

**\*available up to 2 booths**

**1 booth unit = 6m<sup>2</sup> (width 3m × depth 2m × height 2.7m)**

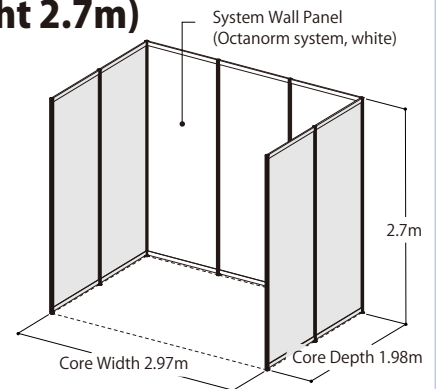
\*Rear and side walls only, corner booths have only one side wall

**Exhibition fees 286,000 yen (including tax)/unit**

### Booth unit layout height limits:

- **1 booth unit**  
Height: up to 2.7m
- **2 booth units**  
Linear booth type only. Height: up to 2.7m

\*Please contact the organizer for exhibits that exceed specified height. Please note that it is not possible to display company signs and logos exceeding the maximum height limit.



## Package decoration

**A package plan for easy booth unit decoration.**

- \*Please apply for package decorations from the exhibitor manual which will be sent around July.
- \*Contact the organizer if you require 2 booth units or more.

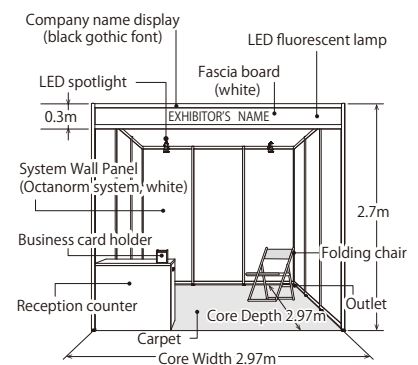
### ▶ Booth Type A

**9m<sup>2</sup> (width 3m × depth 3m × height 2.7m)**

**Exhibition fees + 121,000 yen (including tax)**

**For 1 booth unit** Corner booths have only one side wall. The company name can only be displayed on the front.

System Wall Panel (Octanorm system, white) / Fascia board (white) / Reception counter / Carpet (blue, dark red, gray or green) / LED fluorescent lamp 20W x 1 / LED spotlight 15W x 2 / Folding chair x 1 / Business card holder x 1 / Company name display / Wiring cost and Electric rates × 1kW / Outlet x 1



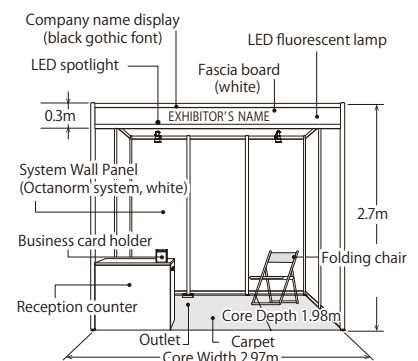
### Booth Type F

**6m<sup>2</sup> (width 3m × depth 2m × height 2.7m)**

**Exhibition fees + 110,000 yen (including tax)**

**For 1 booth unit** Corner booths have only one side wall. The company name can only be displayed on the front.

System Wall Panel (Octanorm system, white) / Fascia board (white) / Reception counter / Carpet (blue, dark red, gray or green) / LED fluorescent lamp 20W x 1 / LED spotlight 15W x 2 / Folding chair x 1 / Business card holder x 1 / Company name display / Wiring cost and Electric rates × 1kW / Outlet x 1



**Dates: September 14 (Wed) - 16 (Fri), 2022**

**Venue: Tokyo Big Sight West Exhibition Hall 2**

## Exhibition scale

Number of Exhibitors 78 exhibitors

Number of Booth Units 97 booths

## Number of Visitors

September 14 (Wed) 1,125

September 15 (Thu) 1,102

September 16 (Fri) 1,206

**TOTAL 3,433**

The number of visitors above does not include exhibitors and organizers.  
The count only includes unique visitors; double count is excluded.



## Covid - 19 Countermeasures

The following measures were taken to prevent the spread of the Covid - 19: ensuring that all visitors wear masks; measuring the number of people entering the exhibition hall at the entrance/exit; encouraging the use of hand sanitizer and thermography to measure body temperature; installing disinfectant solutions in all relevant places; ensuring that there is adequate seating space in seminar halls and regularly disinfecting and cleaning the halls; and ventilating the halls.

## List of Exhibitors

- |  |  |
|--|--|
| AdIn Research, Inc   | Forest Bioeconomy Cluster  |
| Asia Air Survey Co., Ltd.                                      | KOKUSAI KOGYO CO., LTD.  |
| Austrian Pavilion  | KOYO PLANNING & SURVEYING CO., LTD.                              |
| ADVANTAGE AUSTRIA  | KUNIMINE INDUSTRIES CO., LTD.                                    |
| Andritz AG (ANDRITZ K.K.)                                      | M.HASEGAWA AND CO., LTD.   |
| Kohlbach Energieanlagen GmbH (TESS Engineering Co., Ltd.)      | Mapry Inc.   |
| LIECO GMBH & CO KG (SANYO SHOUJI CO.,LTD.)                     | mazex  |
| Pewag Schneeketten GmbH  | Mirukuru Co., Ltd.   |
| Pfanner Schutzbekleidung GmbH (Pfanner Japan)                  | Morinokikai Co., Ltd.  |
| Polytechnik Luft- und Feuerungstechnik GmbH (EXEO Group, Inc.) | National Federation of Forest Owners' Co-operative Association / |
| PROFIFORST GMBH (SANYO SHOUJI CO.,LTD.)                        | Japanese Association of Forestry Practice Planners               |
| RIEGL International GmbH (RIEGL Japan)                         | NCH Japan K.K.   |
| Stadlober GmbH   | Nikken Corporation / John Deere / Waratah                        |
| WWS Wasserkraft GmbH (WWS-JAPAN)                               | NIPPONIA MOKUZAI, CO., LTD./ Barcelona Trade                     |
| Be System Co., Ltd.  | NT GEOTECS CO.,LTD.  |
| DAIICHIHOSEI CO.,LTD.  | NTT DATA Corporation / Remote Sensing Technology Center of Japan |
| DeepForest Technologies Co., Ltd.                              | PACIFIC CONSULTANTS CO., LTD                                     |
| Deloitte Touche Tohmatsu LLC                                   | PINOSA SRL   |
| e-Valley Ltd.  | Plaform-Sunbless.Co., Ltd.                                       |
| EXEO Group Inc.  | Planet   |
| Forest Agency  | POWER CUTTER SALES COMPANY/ PORTABLE WINCH COMPANY               |
| FOREST JOURNAL   | Precision Forestry Measurement Ltd.                              |
| FOREST MEDIA WORKS Inc.  | RYOKUSAN Co., Ltd.   |
| Forest Revitalization Systems Co., Ltd.                        | SANKI Corporation  |
| ForestEye / HYAKUMORI INC.                                     | SANYO TRADING CO., LTD.  |
| Forestry and Forest Products Research Institute                | Shinshu University Forest Measurement & Planning lab.            |
| Foresttosea Co., Ltd.  | SOMANOBASE Co., Ltd.   |
| Fuji Kogyo Co., Ltd.   | Spanner KK   |
| FUJIOKAYAMA UNPANKI CO., LTD.                                  | Sumitomo Forestry Co., Ltd.                                      |
| Green Support Co., Ltd.  | Sun Earth Co., Ltd.  |
| HIBIYA AMENIS Co.  | Taketani Trading Co, LTD   |
| Japan Conservation Engineers & Co., Ltd./ BUTSURIN CO., LTD.   | TONICHI KOSAN CO.,LTD.   |
| JIFFY PRODUCTS INTERNATIONAL BV                                | TSUKUBA-ZYUUKOU.CO.LTD.  |
| Jitsuta Co., Ltd   | woodinfo partners  |
| KANEKO heavy machinery co., LTD.                               | YAMAHA MOTOR CO., LTD.   |
| KARELIA UNIVERSITY OF APPLIED SCIENCES / North Karelia Finland | Yellow Scan Japan Co., Ltd.                                      |



## Schedule (as planned)

April 30, 2024 (Tue)	Exhibition Application Deadline. Sending of Invoice for the Exhibition Fees
July	Release of the Floor Plan and Exhibitor Manual
August	Dispatch of Invitation tickets. Opening of the website for visitors
Sept. 16 (Mon)	Exhibitor Move-in, Booth Construction
Sept. 17 (Tue)	Exhibitor Move-in, Decoration Setting-Up
Sept. 18 (Wed)	First day of the Exhibition 10:00 - 17:00
Sept. 19 (Thu)	Second day of the Exhibition 10:00 - 17:00
Sept. 20 (Fri)	Third and last day of the Exhibition 10:00 - 17:00 Exhibitor Move-out and Booth Teardown From 17:00

## Access

Tokyo Big Sight East Exhibition Hall



## Applications / Inquiries

Sankei Shimbun Co., Ltd,  
Expo Planning Division, FORESTRISE Organizer  
1-7-2 OTEMACHI, CHIYODA-KU, TOKYO 100-8079 JAPAN  
+81-3-3273-6161

E-mail: [forestrise@sankei.co.jp](mailto:forestrise@sankei.co.jp)  
[www.forestrise.jp](http://www.forestrise.jp)